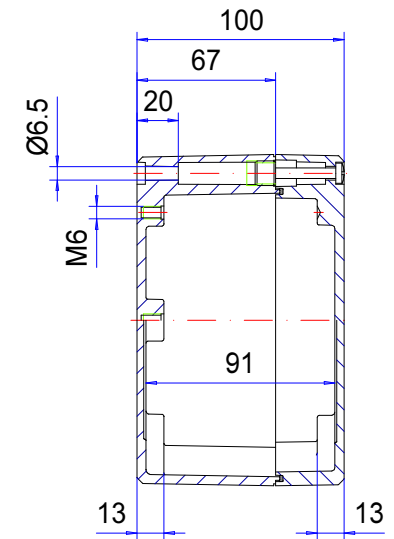
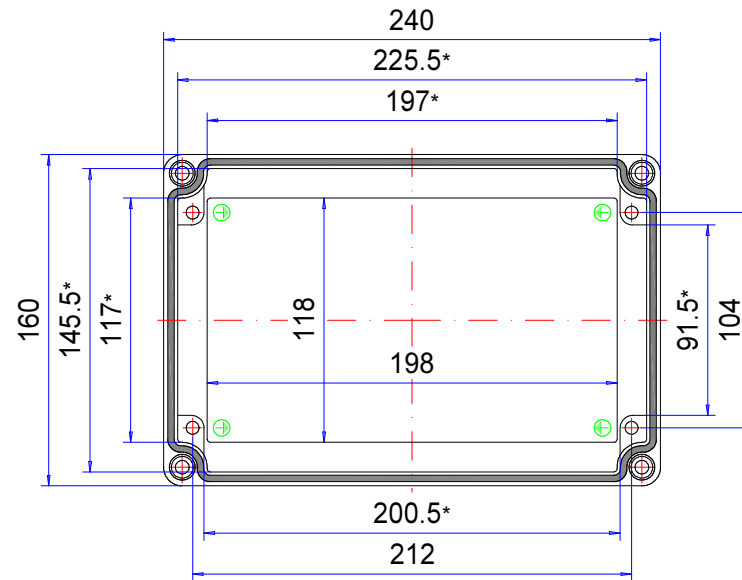
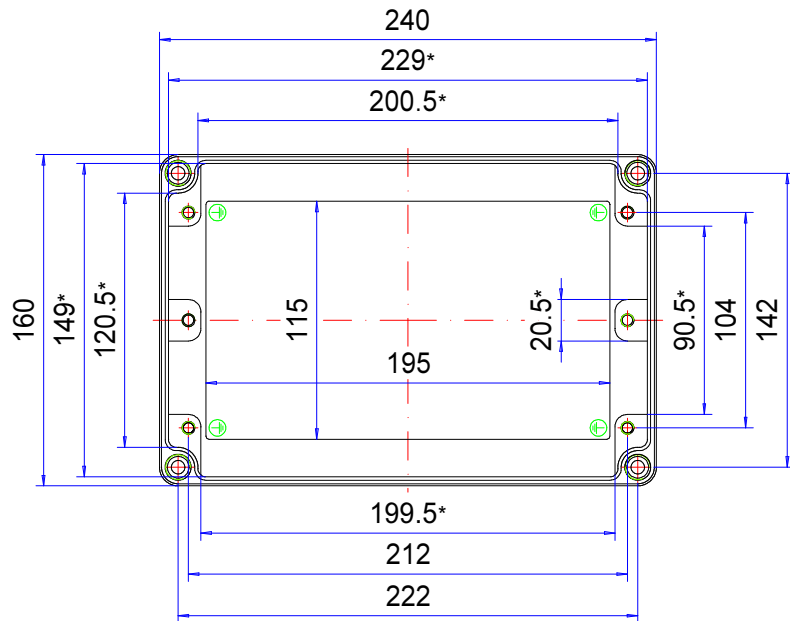


Enclosure series aluNORM

Type: AS 162

Material-No.: 100.162.035



* Please note: Mould slope for casting ejection, dimensions in the amount of the bottom!

| | | | | |
|--------------------|---|--|-----------------|--|
| Enclosure material | GD-AI Si 12 (DIN 1725) | | Weight | 1.980 g |
| Lid screws | 4x stainless steel 1.4567 (V2A), captive | | Earthing screws | 4x M6x9, copper-plated |
| Gasket | 1x TPE moulded gasket, silicone-free, black | | Coating | Powder coating RAL 7035, light grey |
| Ingress protection | IP66 EN 60529 | | Tolerance | DIN CEN ISO/TS 8062-2 (outside dimensions ± 0,5mm) |

technical changes subjected