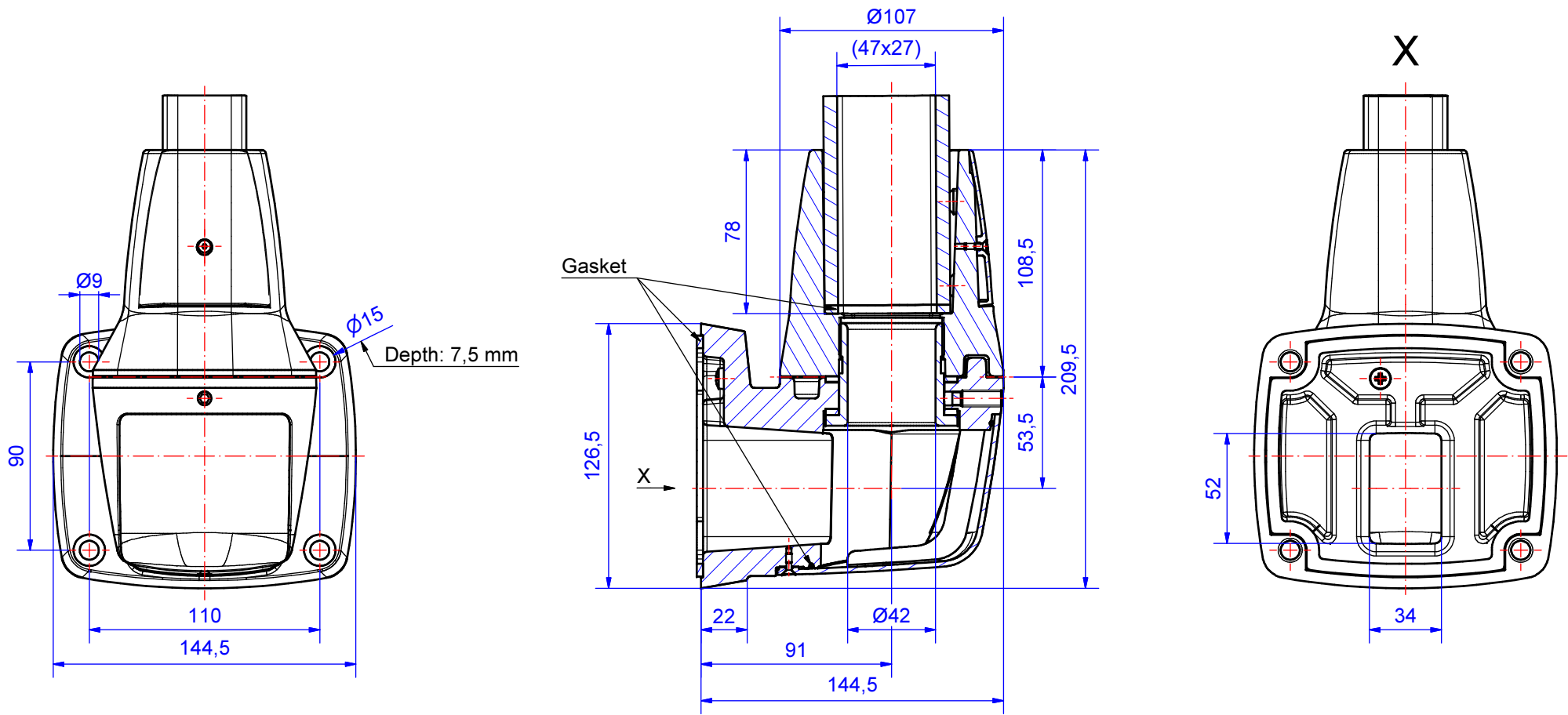


# Suspension-System taraSMART

Type: Wall joint vertical

Material-No.: 141.010.001



Suspension system material	Die-cast aluminium		Bending range	300°
Gasket	Chloroprene (CR), black		Weight	3.000 g
Mounting screws	4x M12, galvanized steel		Surface	Powder coating RAL 7035, light grey
Ingress protection	IP54 EN 60529		Tolerance	DIN EN ISO 8062-3 DCTG5 (outside dimensions $\pm 0,8$ mm)
Covers	Thermoplastic/ RAL 7016			