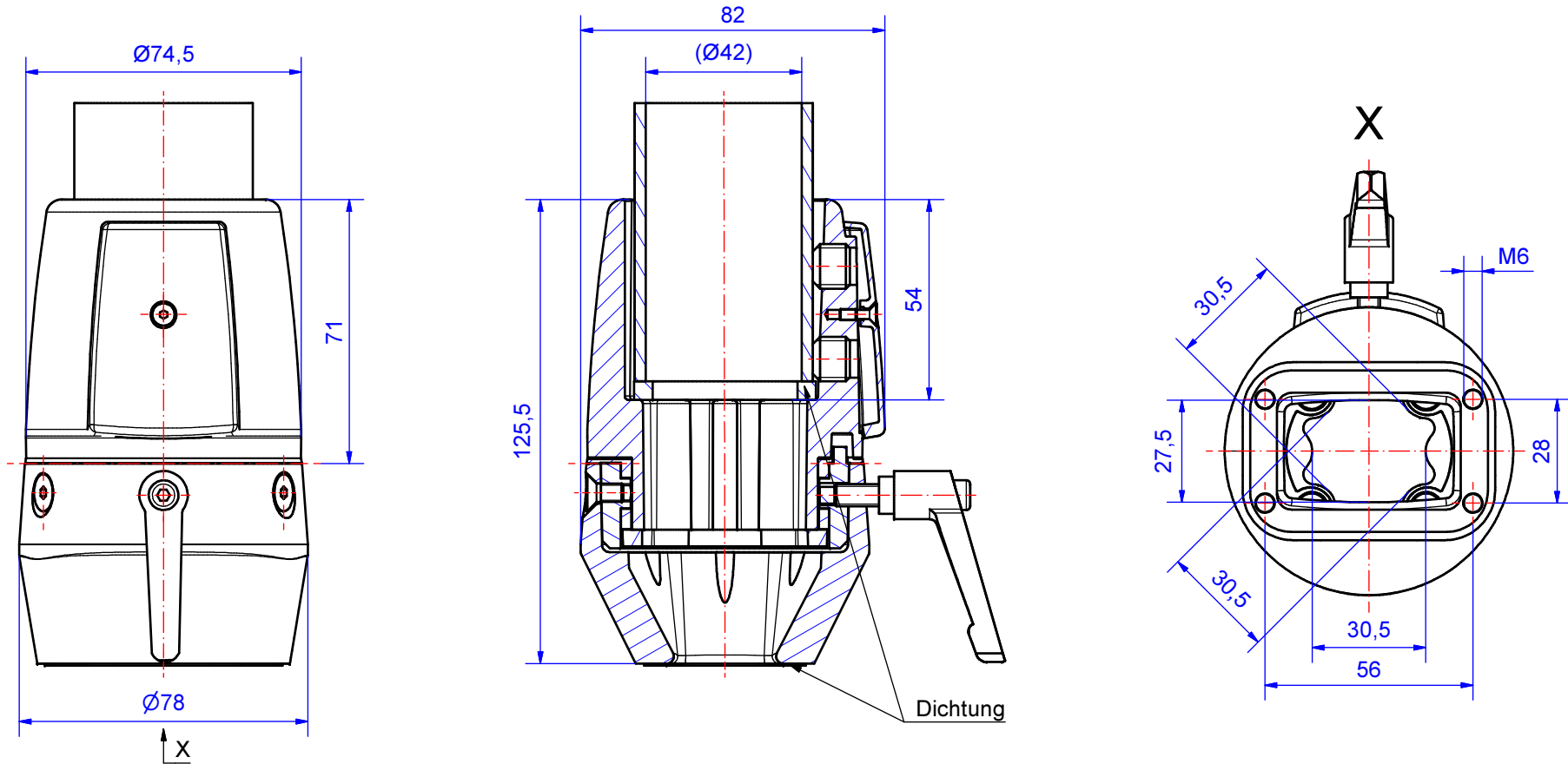


Suspension-System taraSMART

Type: Panel coupling Ø48

Material-No.: 141.025.501



Suspension system material	Die-cast aluminium		Bending range	max. 320°
Gasket	Chloroprene (CR), black/ Paper gasket, blue		Weight	930 g
Mounting screws	2x M12, galvanized steel		Surface	Powder coating RAL 7035, light grey
Ingress protection	IP54 EN 60529		Tolerance	DIN EN ISO 8062-3 DCTG5 (outside dimensions ±0,8mm)
Covers	Thermoplastic/ RAL 7016			