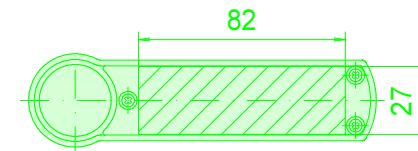
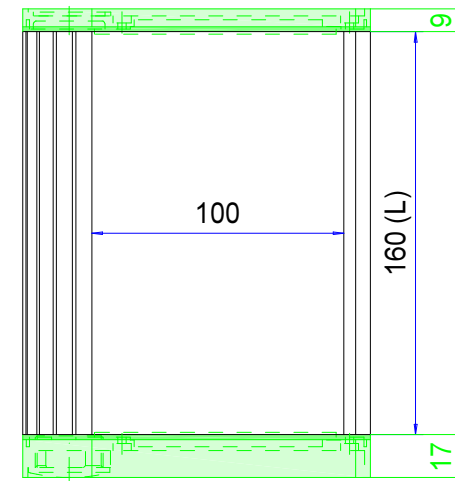
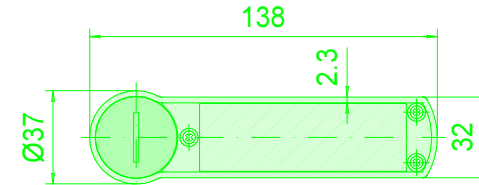
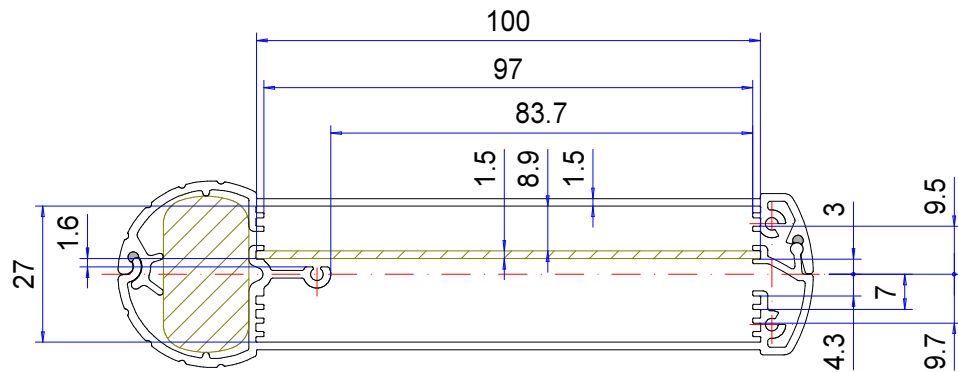



Enclosure series mobilCASE

Type: P 100-2

Material-No.: 251.100.160, Length (L) of profile variable



| | | | | |
|--------------------|--|--|--------------------|---|
| Enclosure material | Al Mg Si 0.5 (DIN 17615) |  | Ingress protection | IP54 EN 60529 |
| Lid material | GD-Zn Al 4 Cu 1 (DIN EN 12844) | | Weight | Profile 1,899 kg/m |
| Lid screws | 6x stainless steel 1.4567 (V2A), captive | | Coating profile | Powder coating silver metallic |
| Gasket profile | 2x Chloroprene (CR), light grey | | Coating lid | Powder coating RAL 9005, black |
| Gasket lid | 2x TPE moulded gasket, siliconefree, black | | Tolerance | GTA 13/5 DIN 1688-4 (outside dimensions ±0,5mm) |
| | | | | |

technical changes subjected