

Product line

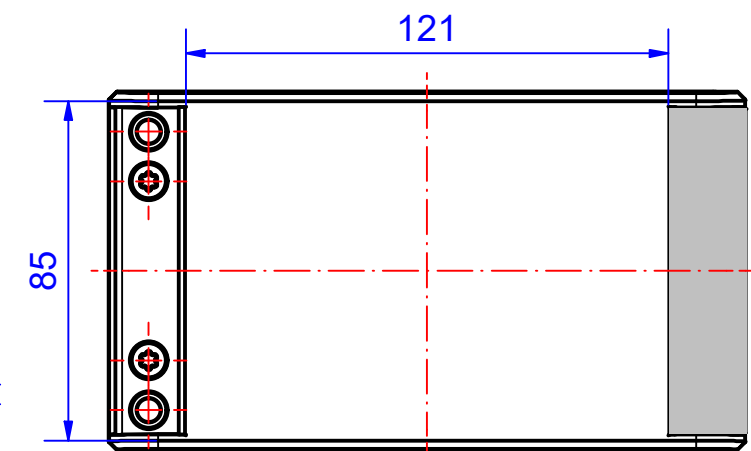
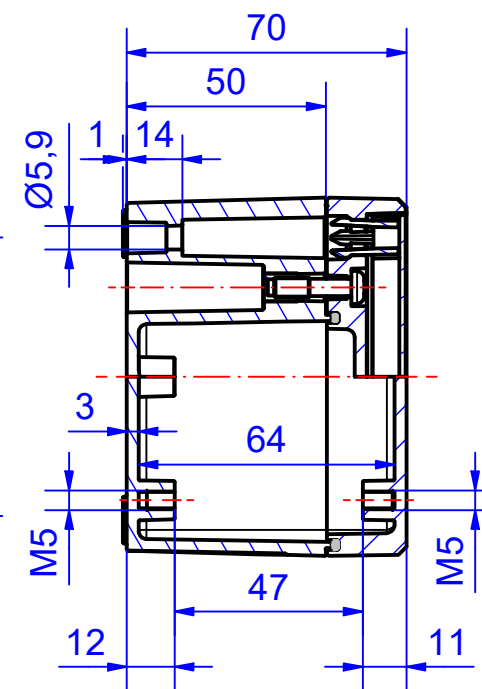
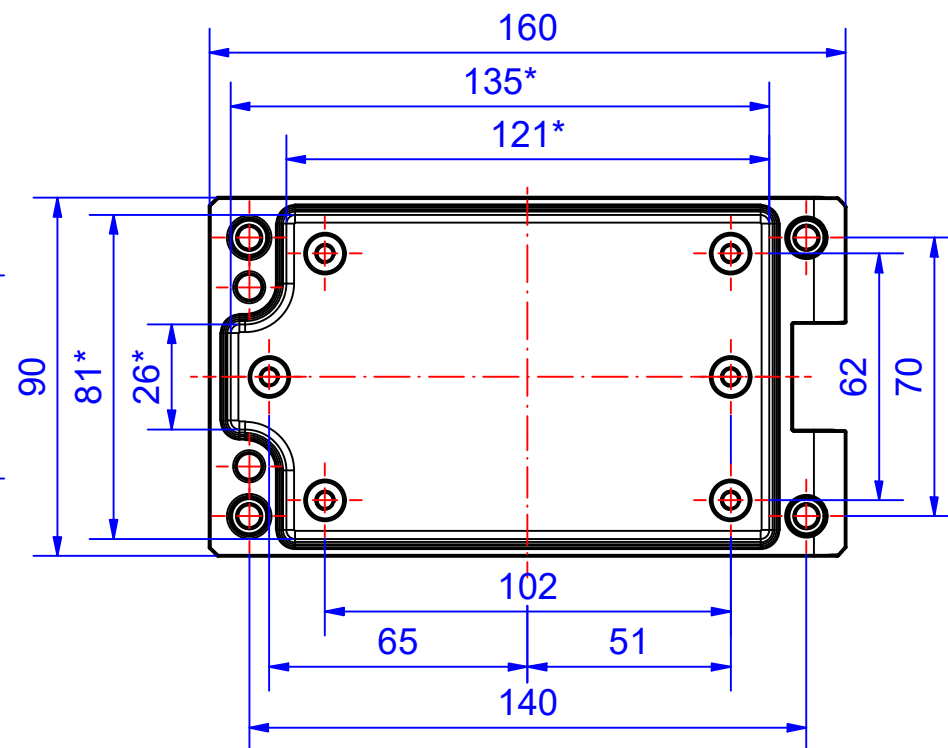
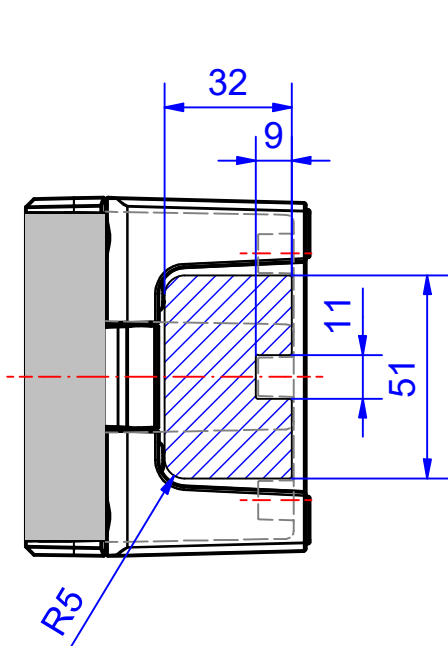
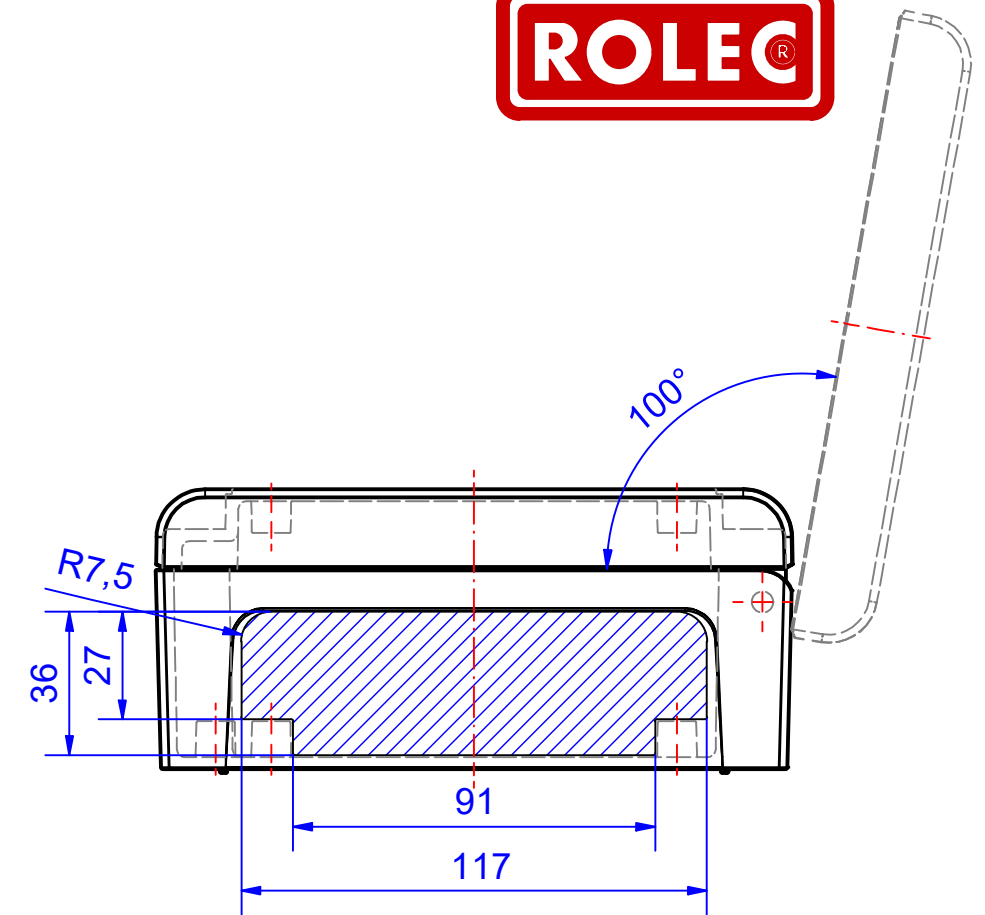
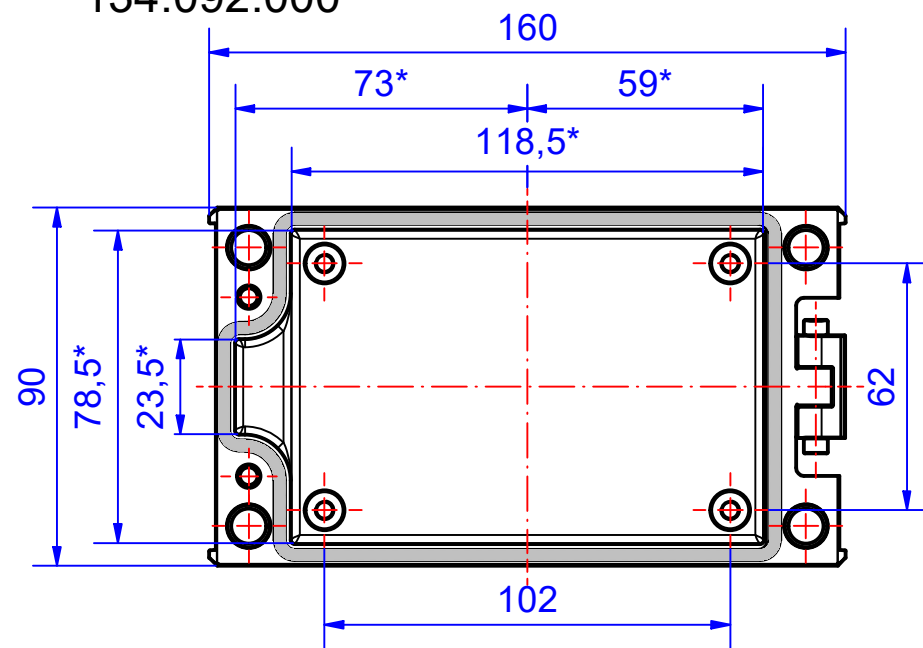
aluDOOR

Type:

ADO 092

Part-No.:

134.092.000



\* Please note: Enclosure with draft angles, dimensions in the amount of the bottom!

Material enclosure	GD-AI Si 12		Lid screws	Stainless steel (2x)
Surface enclosure	Powder coating, RAL 7016		Assembly screws	M5 (5x)
Gasket	PUR		Design covers	Silver matt (2x)
Ingress protection	IP66/67/IP68(1,2m - 2h) EN 60529, IP69K ISO 20653			
Weight (g)	703			

technical changes subjected