

Product line

profiPLUS 70

Type:

Coupling A, 750 mm

Part-No.:

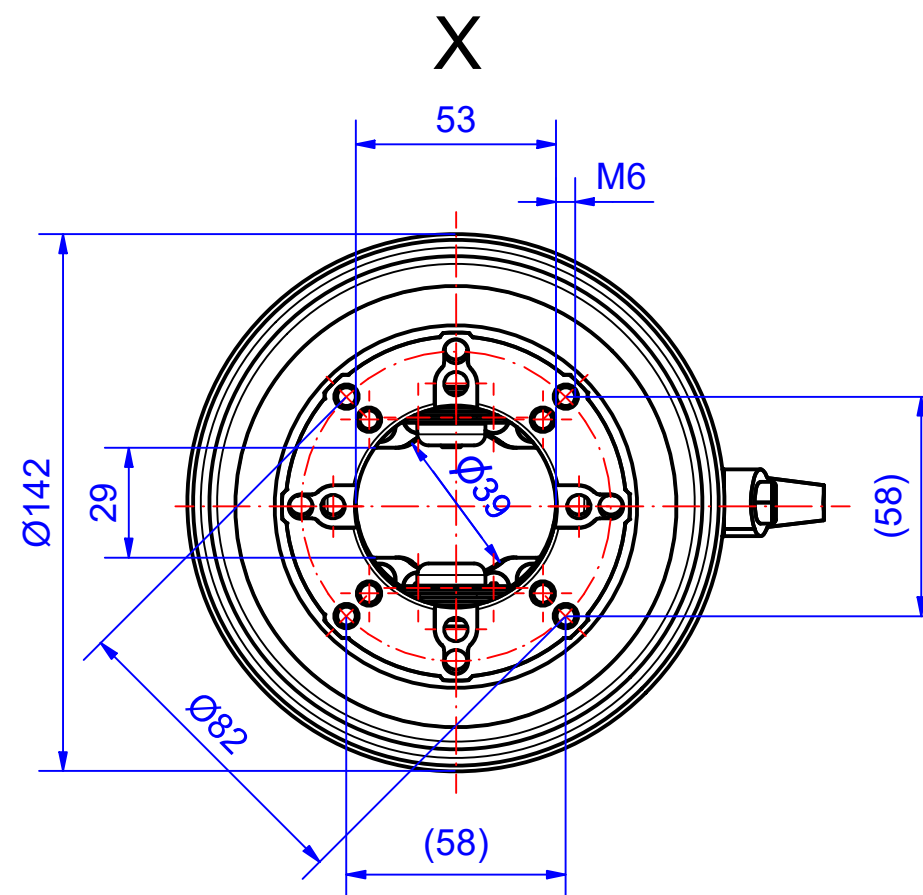
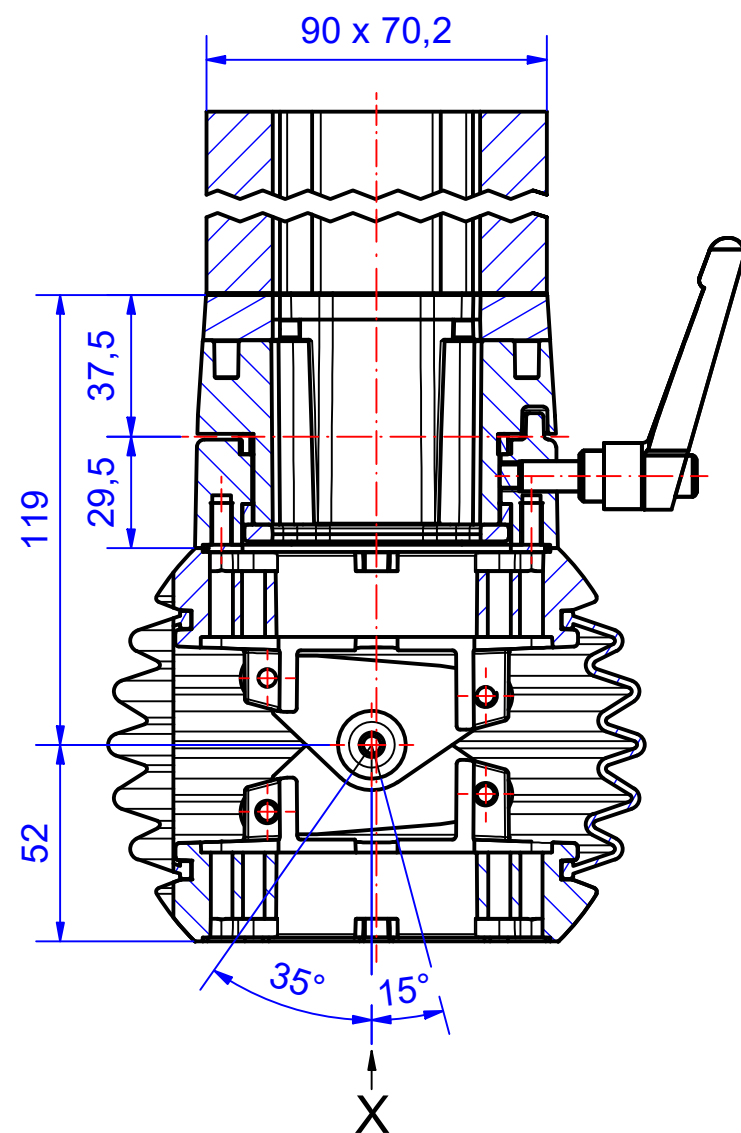
143.27*.***


143.270.250 (l= 250mm)

143.270.500 (l= 500mm)

143.270.750 (l= 750mm)

143.271.000 (l=1000mm)



Suspension system material	GD-Al Si 12		Pivoting range	310°
Profile material	Extruded aluminium		Weight (g)	6.350
Gasket	3x Chloroprene (CR)		Surface	Powder coating RAL 7035
Mounting screws	M6 (4x)		Surface profile	Silver anodized
Ingress protection	IP54 EN 60529			

technical changes subjected