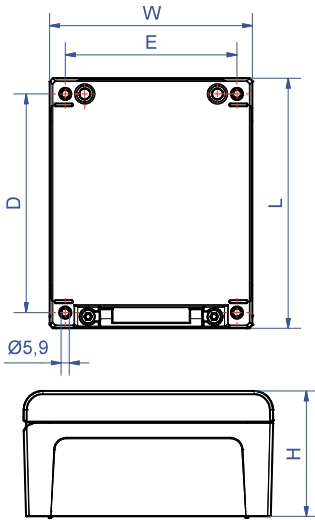
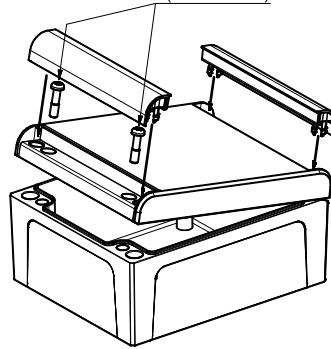


Bodenbefestigung
Ground mounting



Deckelschrauben und Blenden lösen/ befestigen
Remove/ fasten lid screws and design covers

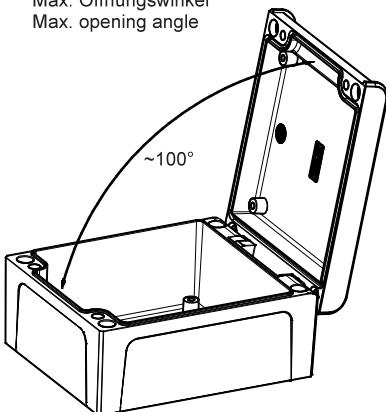
Torx-TX25
(max. 3 Nm)



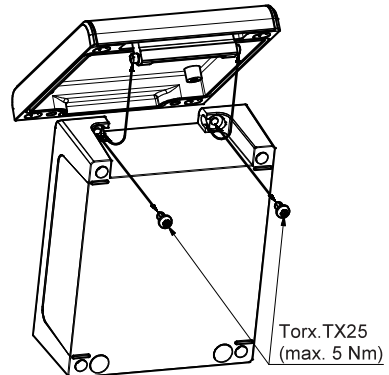
Gehäusemaße und Bohrbild (Bodenbefestigung)/ Housing dimensions and drilling pattern (ground mounting)

Type	Art.-Nr.	L	W	H	D	E
ADF/ ADO 090	133.090.000/ 134.090.000	120	90	70	100	70
ADF/ ADO 092	133.092.000/ 134.092.000	160	90	70	140	70
ADF/ ADO 110	133.110.000/ 134.110.000	140	110	80	120	90
ADF/ ADO 112	133.112.000/ 134.112.000	200	110	80	180	90
ADF/ ADO 130	133.130.000/ 134.130.000	160	130	80	140	110
ADF/ ADO 132	133.132.000/ 134.132.000	220	130	80	200	110
ADF/ ADO 150	133.150.000/ 134.150.000	180	150	90	160	130
ADF/ ADO 152	133.152.000/ 134.152.000	260	150	90	240	130
ADF/ ADO 170	133.170.000/ 134.170.000	200	170	90	180	150
ADF/ADO 172	133.172.000/ 134.172.000	280	170	90	260	150

Max. Öffnungswinkel
Max. opening angle



Scharnier trennen/ zusammenfügen
Disconnecting/ assembling of the hinge



Torx.TX25
(max. 5 Nm)